

FM 1971 06x

Sinks

Code: 1971 06x



DETAILS

Cabinet 45 cm

Edge/Installation Type Standard Edge (STD) - for standard built in installation

Dimensions 860x500 mm

Standard fittings fixing hooks, gasket, drain, overflow and siphon, boxed packing

Mixer holes 1 foro di serie

Built-in hole 840x480 mm

Drainer Yes

Width 86 cm

Material/Finish Foster-brushed finish AISI 304 stainless steel

Bowl dimension 362,5x400mm

Number of bowls 1 bowl

Waste fitting 3,5" drain

FEATURES

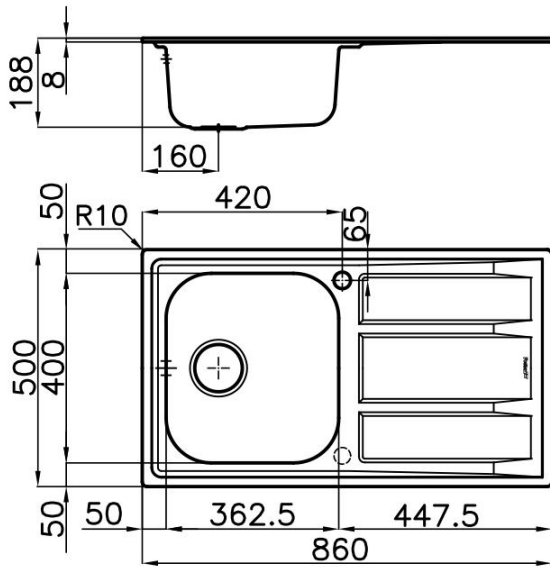
2nd / 3rd hole available The sink can be customized with the execution on request of additional holes, usable for double-hole mixers, for remote controlled drains or for the installation of soap dispensers. The positions are marked on the drawings with dotted line holes.

Added value Foster uses steel thicknesses higher than those used on average by other manufacturers. This is how, thanks to our long experience, we know how to make sinks of superior quality and with a better resistance to aging.

Basket 3,5" waste fitting The drain is equipped with a large 3.5" drain, with the practical basket cap that prevents the discharge of solid parts. The 3.5 "drain allows the use of the Foster waste-disposer, compatible with all models.

Sliding brackets

TECHNICAL DATA



GALLERY



OPTIONAL ACCESSORIES



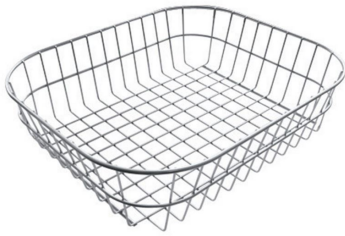
Glass chopping board 8631 300



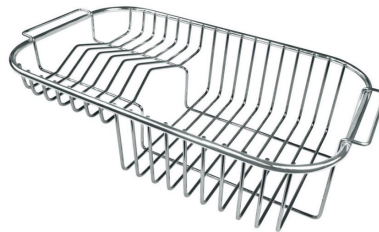
HPDE Chopping board 8657 001



Iroko-wood sliding chopping board 8643 000



Stainless steel basket 8611 000



Stainless steel plate rack 8100 301

OPTIONAL AUTOMATIC WASTE FITTINGS



Automatic waste fitting 8407 000



Automatic waste fitting 8407 100



LIRA automatic waste fitting 8407 103