

## Filo3 8000 113

Built-in socket

Code: 8000 113

**Slot portaprese push per incasso su piani da lavoro -2**  
prese Schuko -1 presa ITA 3 poli 10A-16A Cavo  
alimentazione in dotazione



### DETAILS

Built-in hole 195x157 mm

---

Notes: It's advisable to keep a distance of 40 cm from sinks or cooking hobs (protection index IP20)

---

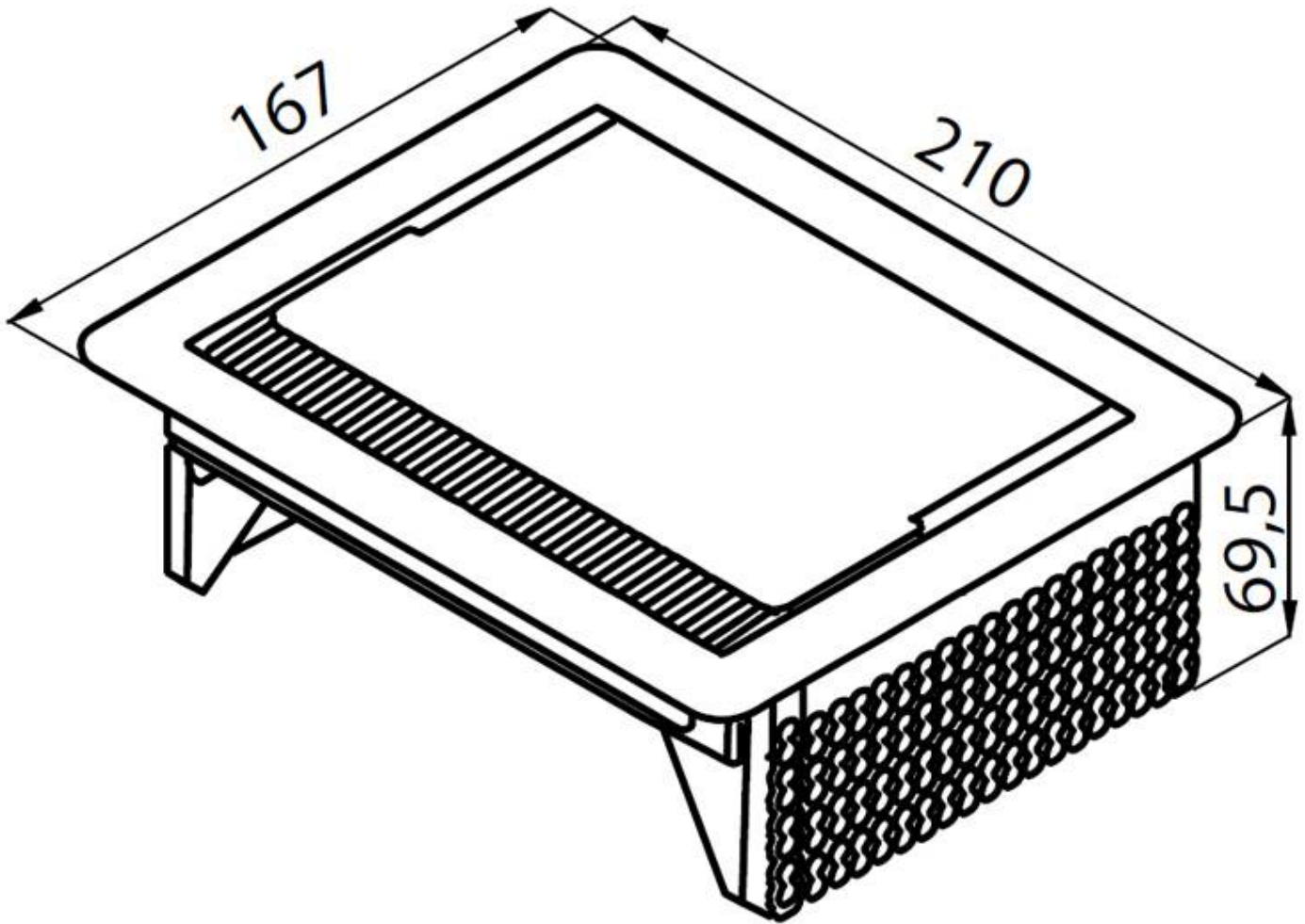
Max worktop thickness 40mm

---

Notes: Height when It's open: 75 mm

---

## TECHNICAL DATA



## GALLERY

