

## Mixer Tap Omega Gun Metal

Mixer Taps

Code: 8497 856



### DETAILS

Coloring Gun Metal

---

Finish PVD

---

Material Brass

---

Texture Chromed

---

Rotating angle 360°

---

Strengthening plate ø50mm

---

Cartridge With ceramic discs

---

Mixer hole ø35mm

---

Rear encumbrance 35mm

---

Max worktop thickness 40mm

---

Mixer type Single lever mixer tap with rotating barrel.

---

## FEATURES

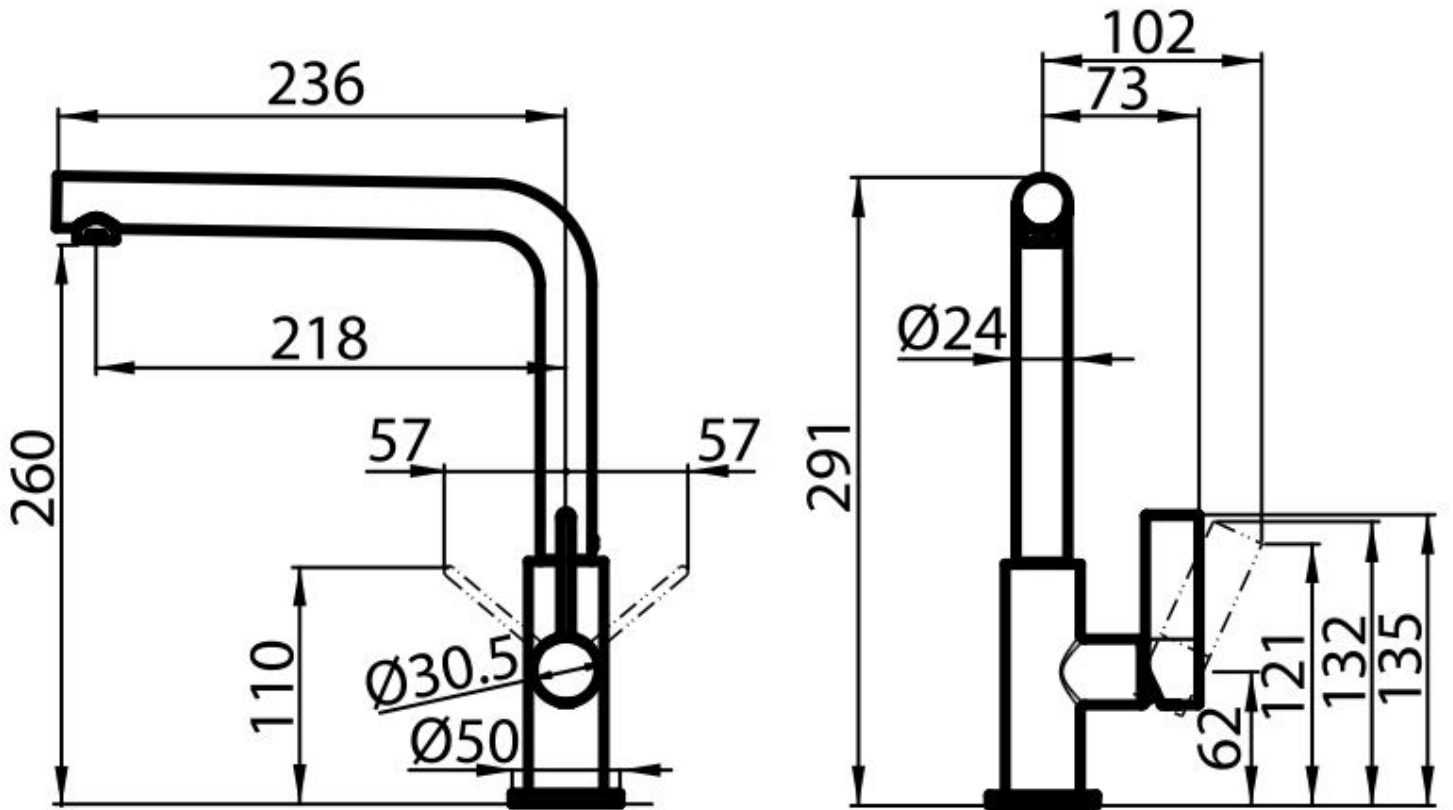
Rotating angle All the taps have a wide angle of rotation. Some models even permit a full 360° rotation.

---

Strengthening plate Foster's mixer taps are equipped with the strengthening plate that offers perfect stability on any sink.

---

## TECHNICAL DATA



## GALLERY

