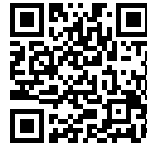


Sink Quadra

Kitchen Sinks

Code: 1241 050



DETAILS

Edge/Installation Type Q4 (4 mm Edge)

Finish Foster brushed

Material AISI 304 stainless steel

Texture Brushed in line

Base 40 cm

Dimensions 400x520 mm

Standard fittings Fixing hooks, gasket, drain, overflow and siphon, boxed packing

Mixer holes 2 standard holes

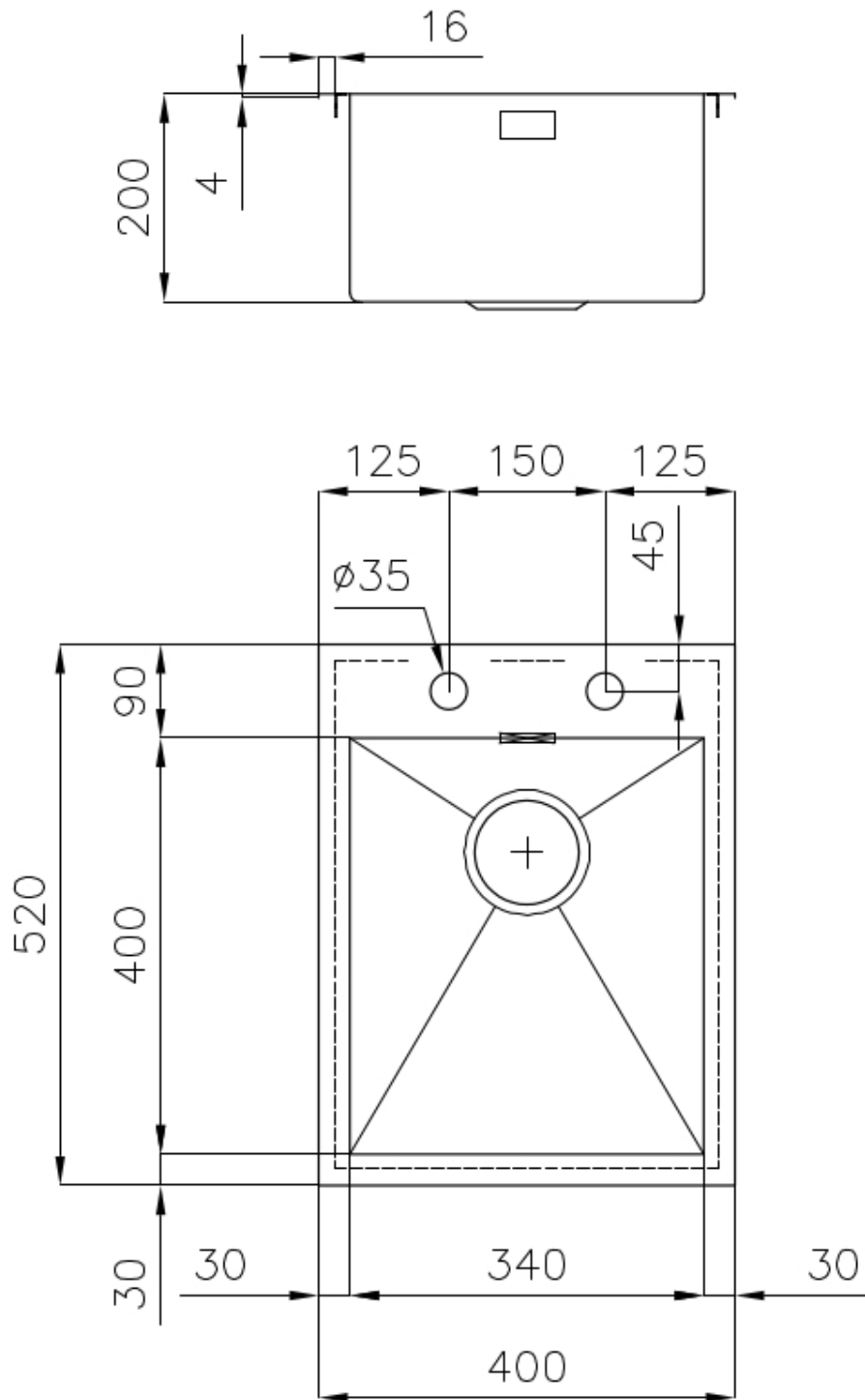
Built-in hole 380x500 mm

| | |
|-----------------|---------------------------------|
| Drainer | No |
| Bowl dimension | 340x400mm |
| Number of bowls | 1 bowl |
| Waste fitting | Drain with automatic PM control |

FEATURES

| | |
|---------------------------|--|
| Automatic waste fitting | The waste-fitting with round remote knob is supplied; a practical accessory which makes it unnecessary to get wet in order to drain the water from the bowl. |
| Basket 3,5" waste fitting | The drain is equipped with a large 3.5" drain, with the practical basket cap that prevents the discharge of solid parts. |
| Deep bowls | This bowls reach an important depth, over 20 cm, thanks to the advanced production technology, that can be offer great capiciency and practicity in all the washing operations. |
| Diamond-shape bottom | The draining of water is an important feature in a sink, and it's always taken good care of in Foster products. In the bent-welded sinks, which would have a flat bottom, the proper draining is guaranteed by the elegant beveling, which helps the water flow. |
| Double mixer hole | The large tap counter is already fitted with a series of 2 tap holes. In the second hole it is possible to install the remote control of the automatic drain or, alternatively, a practical soap dispenser. |
| High thickness | 1mm thick steel. A significant thickness, which guarantees the maximum sturdiness and durability. |
| Perimetral overflow | The overflow is always a security on the Foster sinks that prevents the overflow of water in case of oversights. The perimeter drain solution improves aesthetics thanks to its square and essential shape. |
| Small radius | Bowls with squared shapes with a modern design and an increased capacity, for a minimal aesthetics connected with an extreme practicity. |

TECHNICAL DATA



GALLERY



EQUIPMENT



Automatic waste fitting

OPTIONAL ACCESSORIES



Glass chopping board



HPDE Chopping board



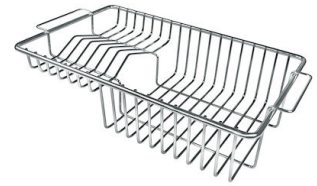
HPDE Twin chopping board



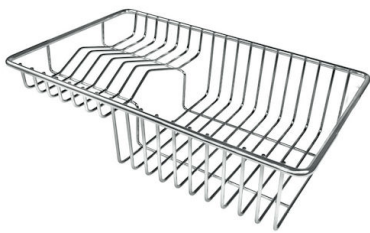
Iroko-wood chopping board with stainless steel colander



Iroko-wood sliding chopping board



Stainless steel plate rack



Stainless steel plate rack



White bowl



Graters kit with ring-holder and food collection tray



Stainless steel perforated tray

WARNING:

The accessories 8159101, 8100303,8151000 are only usable in combination with 8644101

RECOMMENDED PAIRINGS



Mixer Tap Tre Alto



Mixer Tap Twix Plus